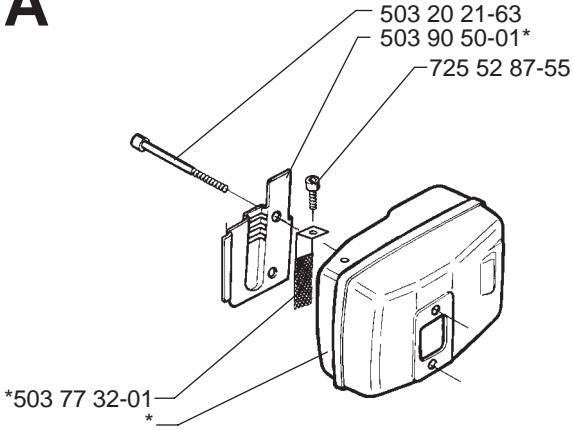
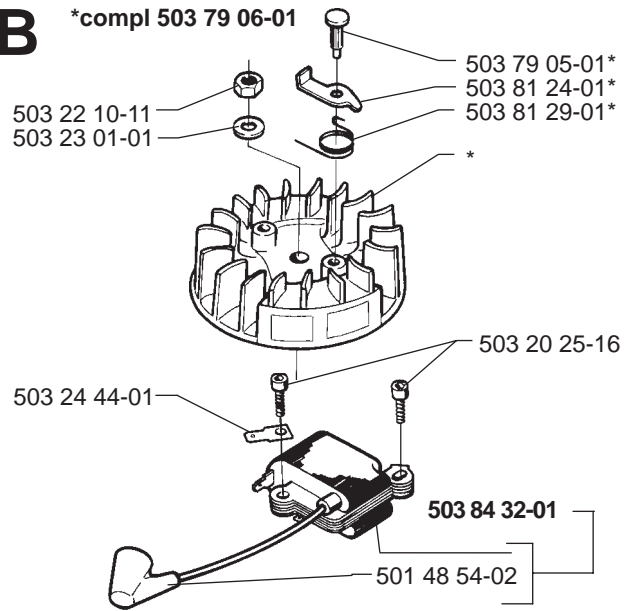
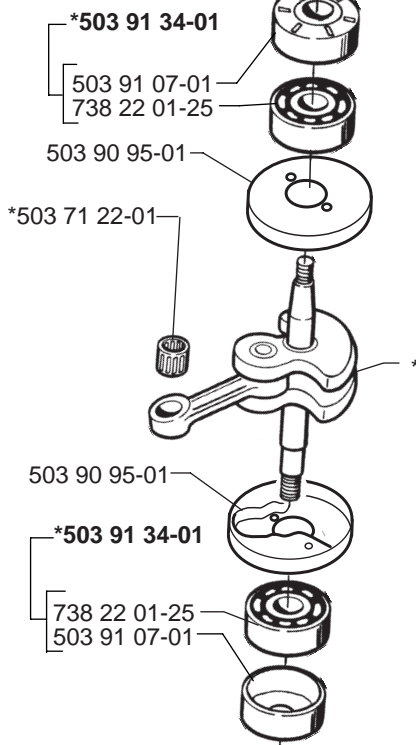
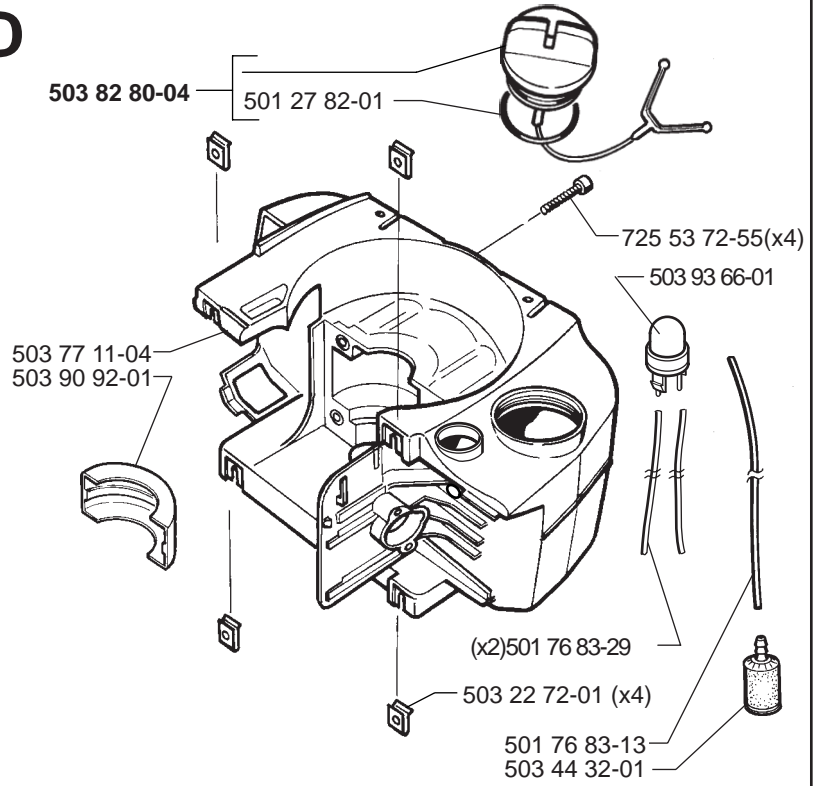
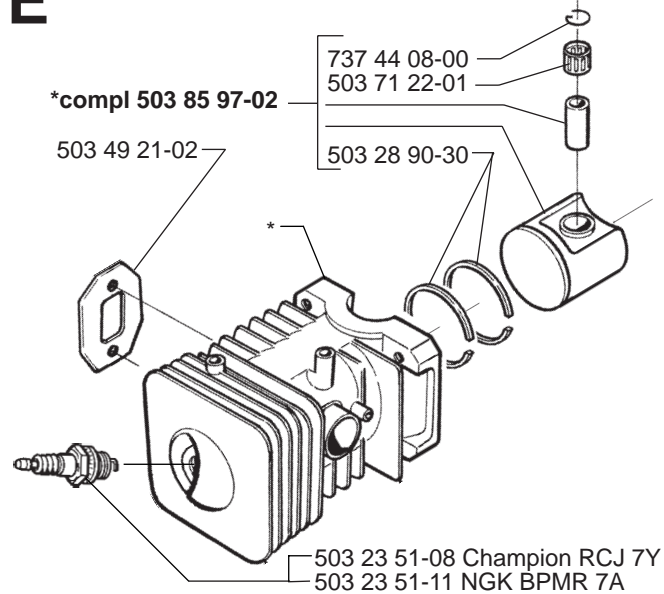
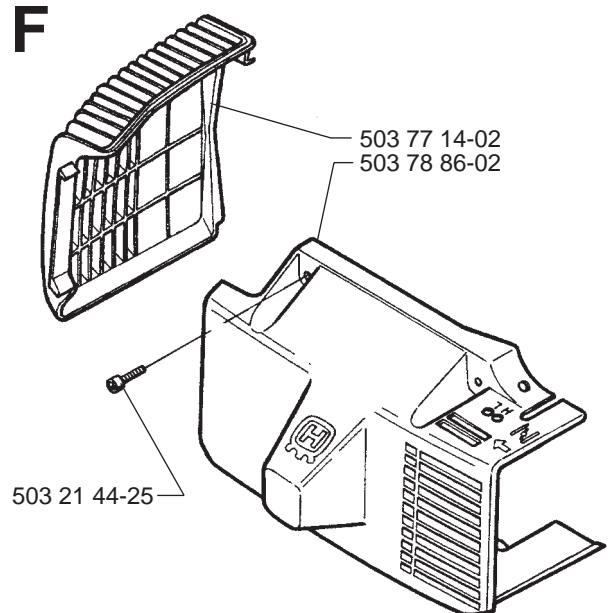
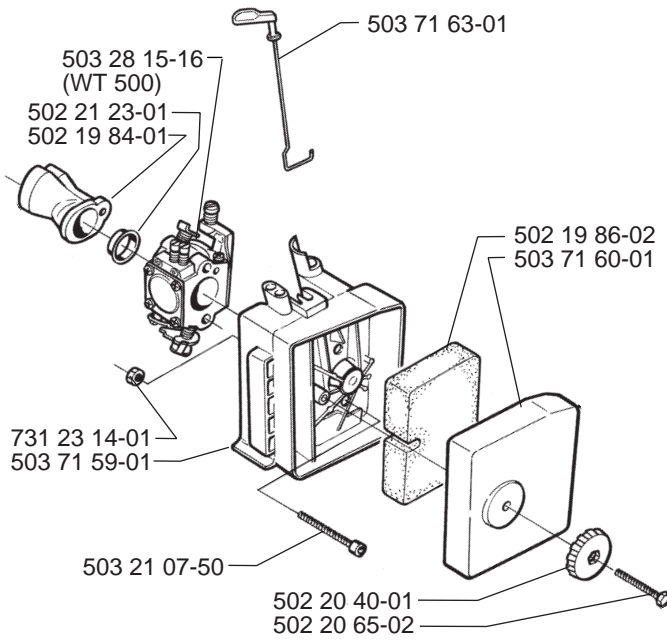
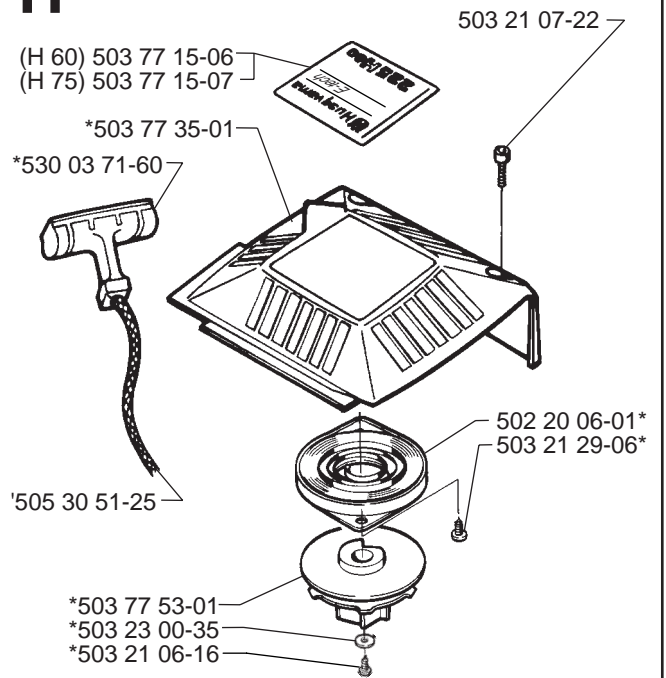


A***compl 503 90 48-01****B*****compl 503 79 06-01****C*****compl 503 72 44-04****D****E****compl 503 72 45-02*****F**

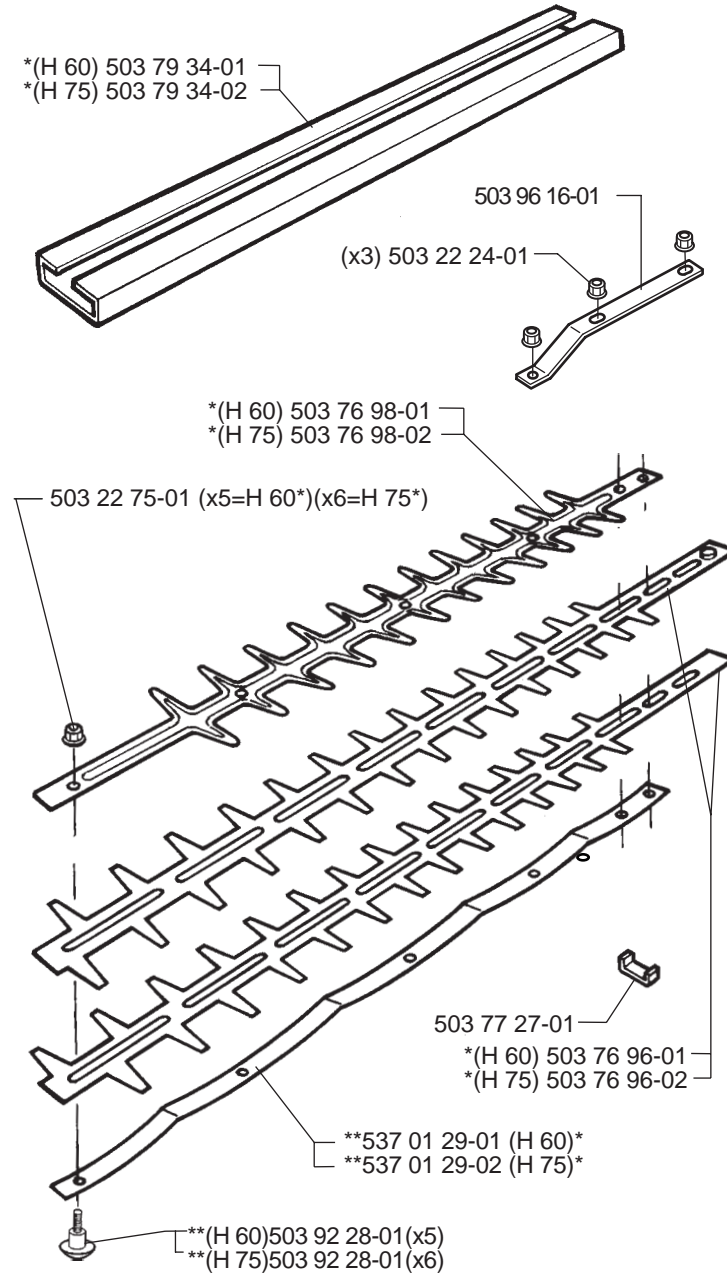
G**H**

*compl 503 77 34-01

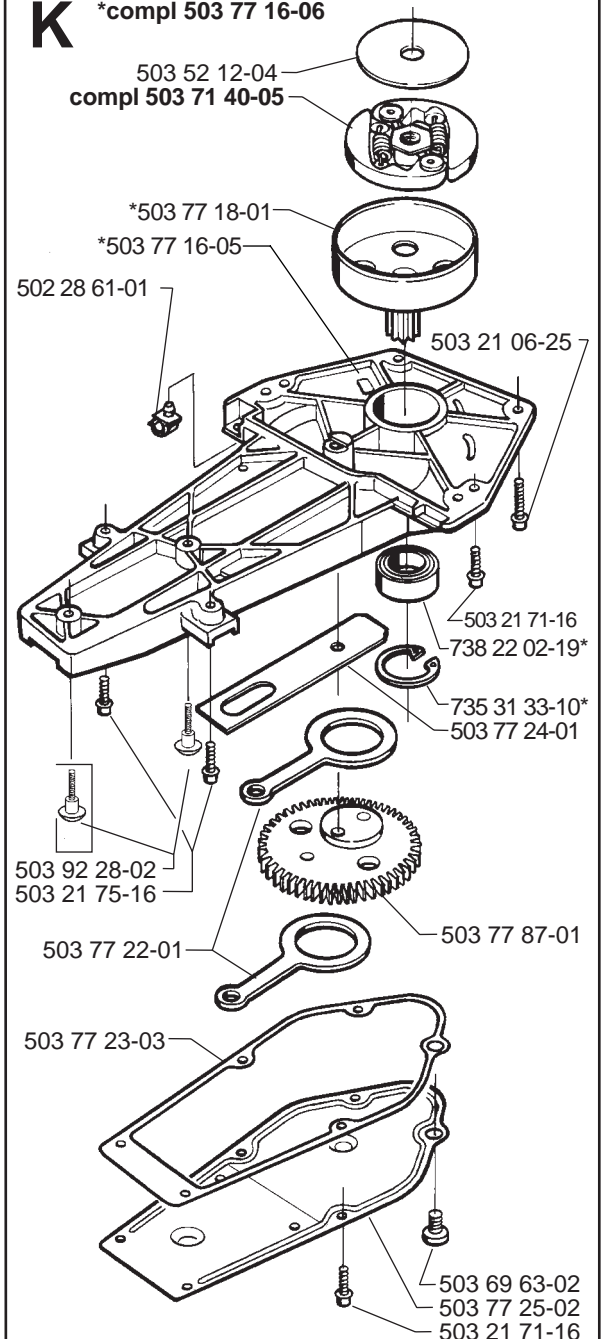
**J**

*compl 503 79 38-05 (H 60)

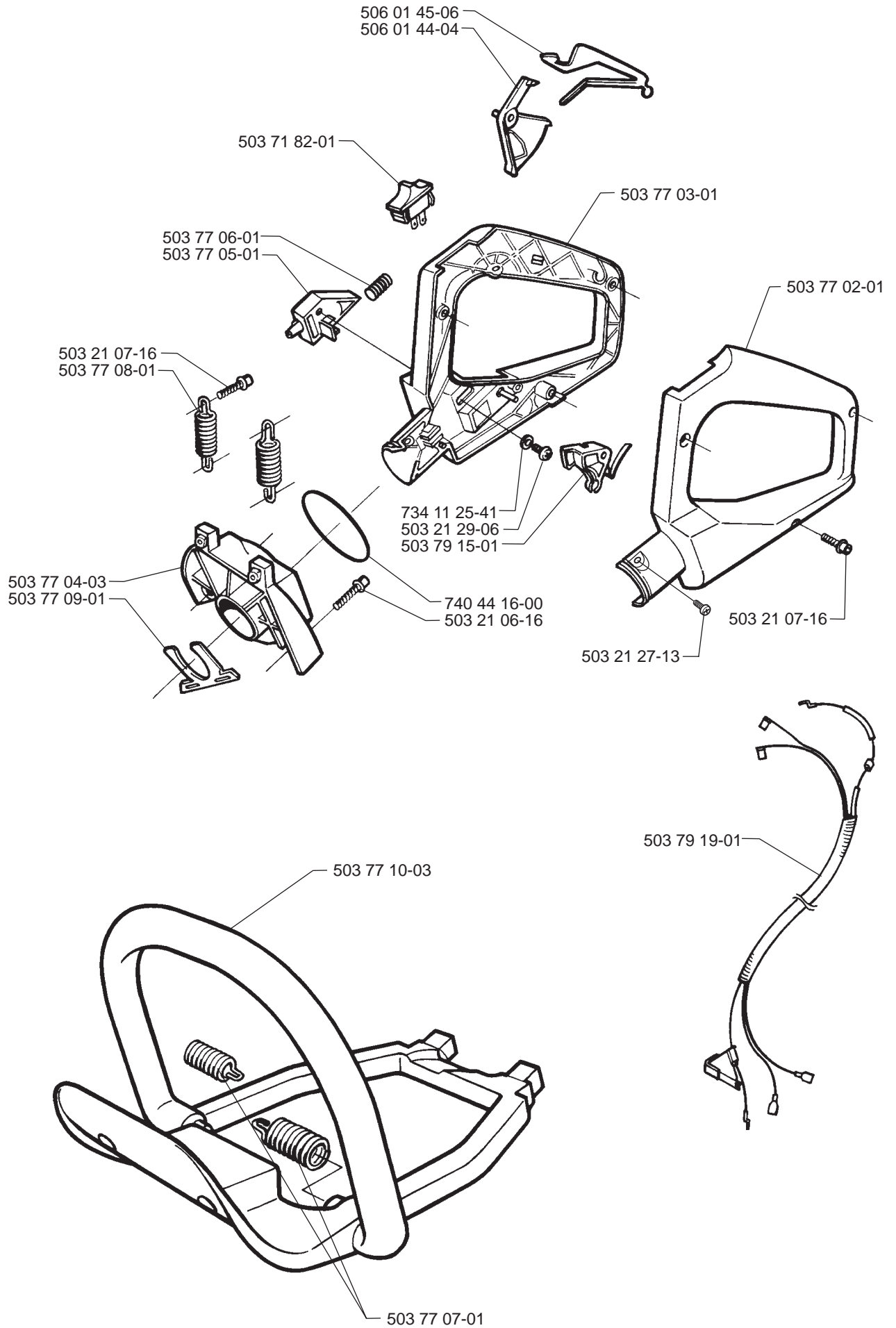
*compl 503 79 38-06 (H 75)

**K**

*compl 503 77 16-06



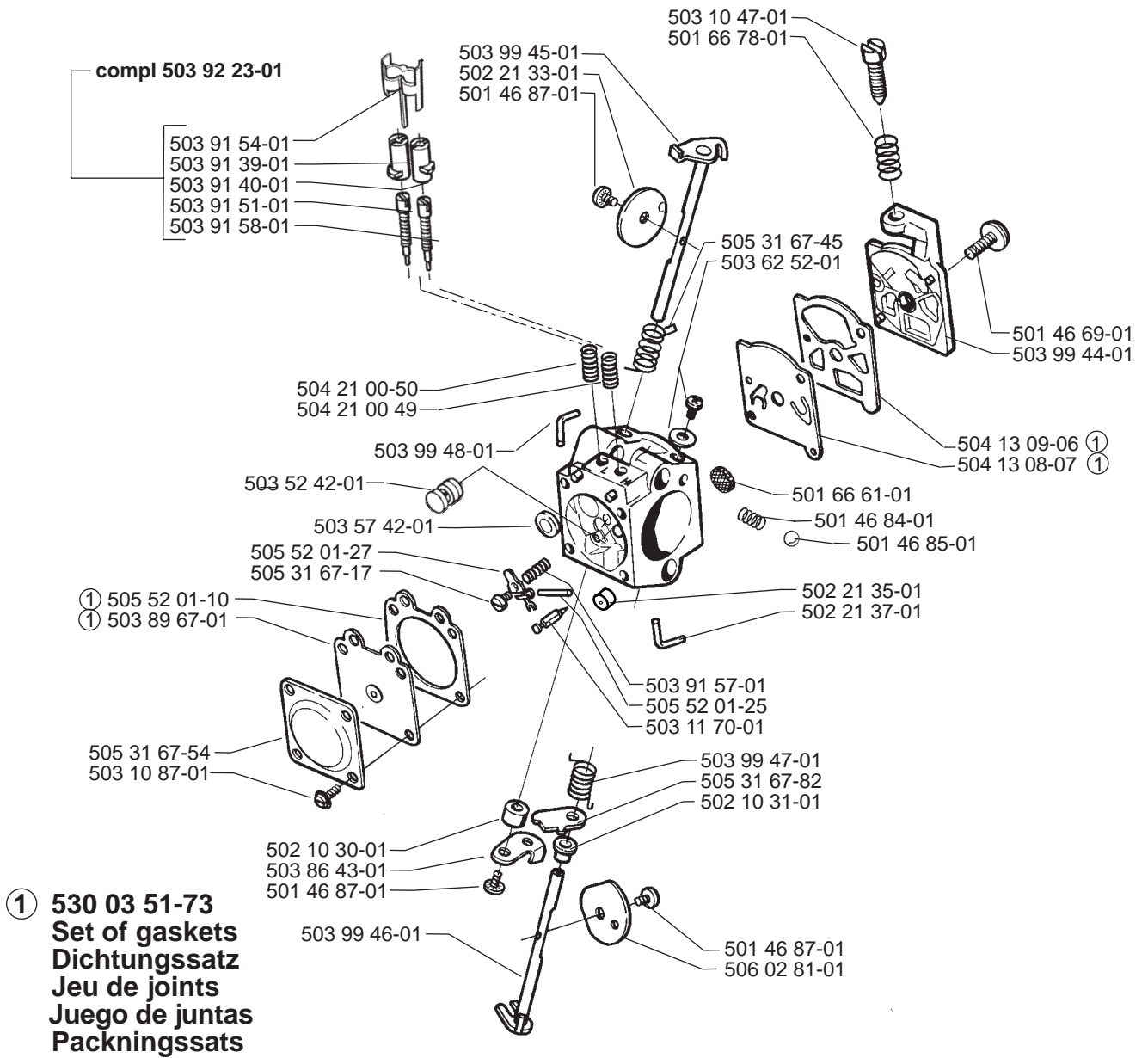
L



M

compl 503 28 15-16

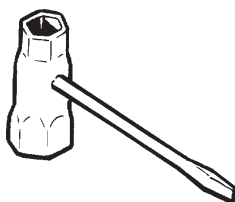
Walbro WT 500



N

Accessories
Zubehöre
Accessoires
Accesorios
Tillbehör

compl 502 21 60-09



503 98 96-01

